



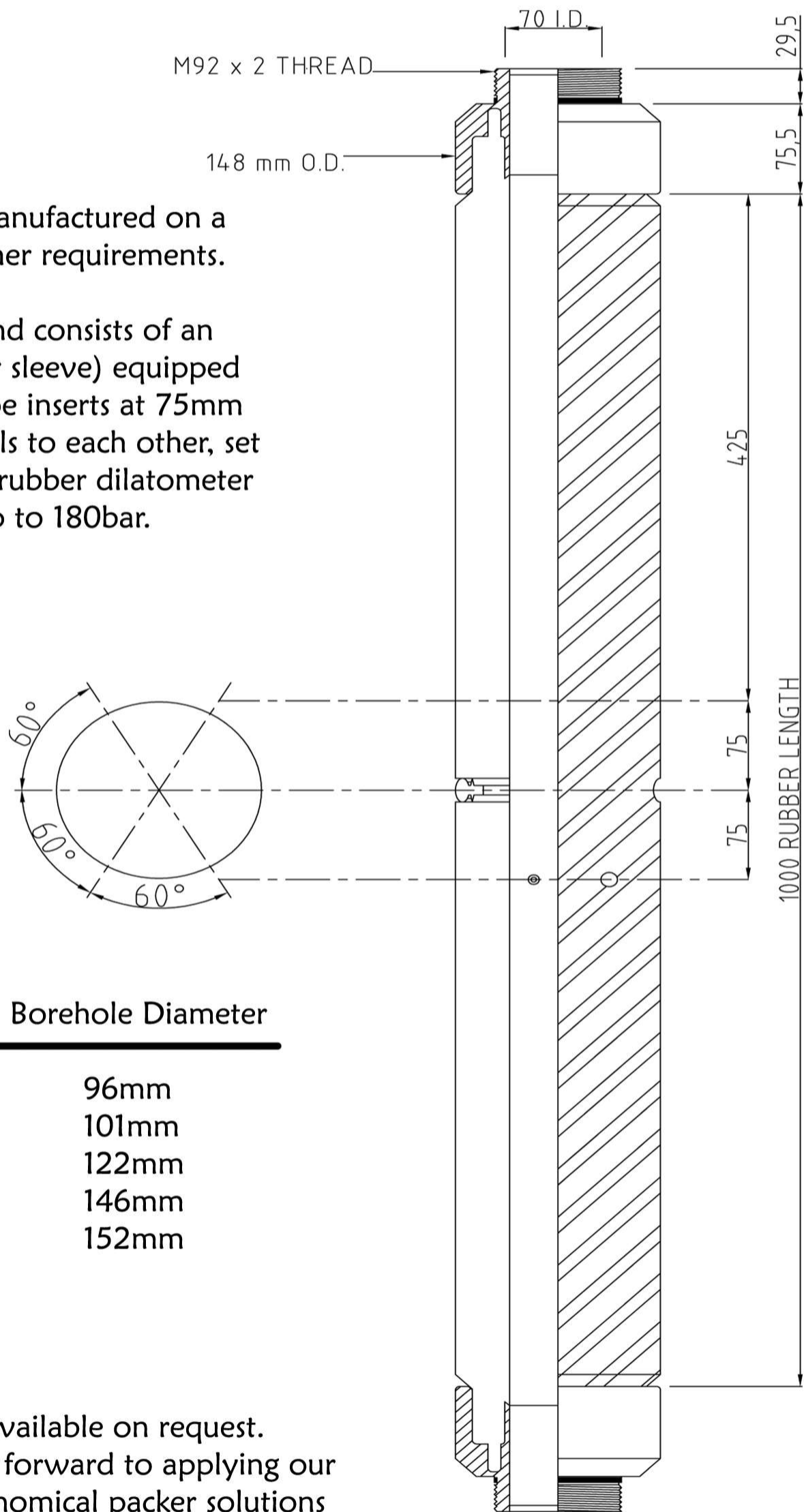
**Replacement
Inflatable
Packers &
Elements PTY LTD**

www.ripe.com.au

Borehole Dilatometer Sleeves

Borehole Dilatometer sleeves are manufactured on a custom made basis to suit all customer requirements.

Dilatometer sleeve are reinforced and consists of an inflatable rubber membrane (rubber sleeve) equipped with three pairs of metal button type inserts at 75mm apart and spaced at 120 deg intervals to each other, set in the middle of a 1 meter effective rubber dilatometer sleeve. Pressure ranges from 5bar up to 180bar.



Sleeve Diameter	Borehole Diameter
89mm	96mm
93mm	101mm
118mm	122mm
142mm	146mm
148mm	152mm

All Additional sizes and lengths available on request. Whatever your requirements, we look forward to applying our expertise to achieve practical and economical packer solutions on your behalf.

Available 24/7 so visit our website www.ripe-packers.com

www.ripe.com.au www.ripe.com.au www.ripe.com.au www.ripe.com.au www.ripe.com.au